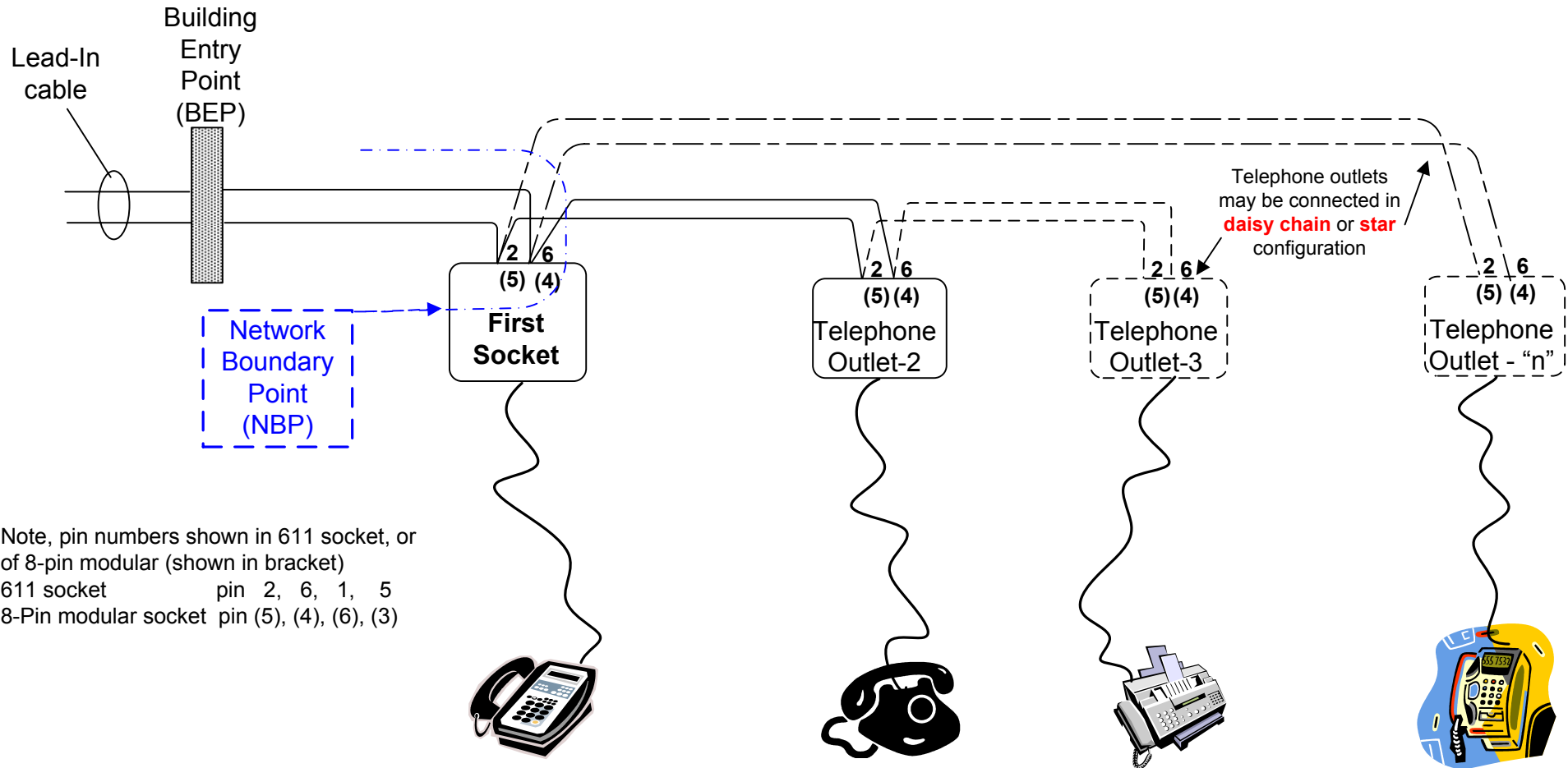


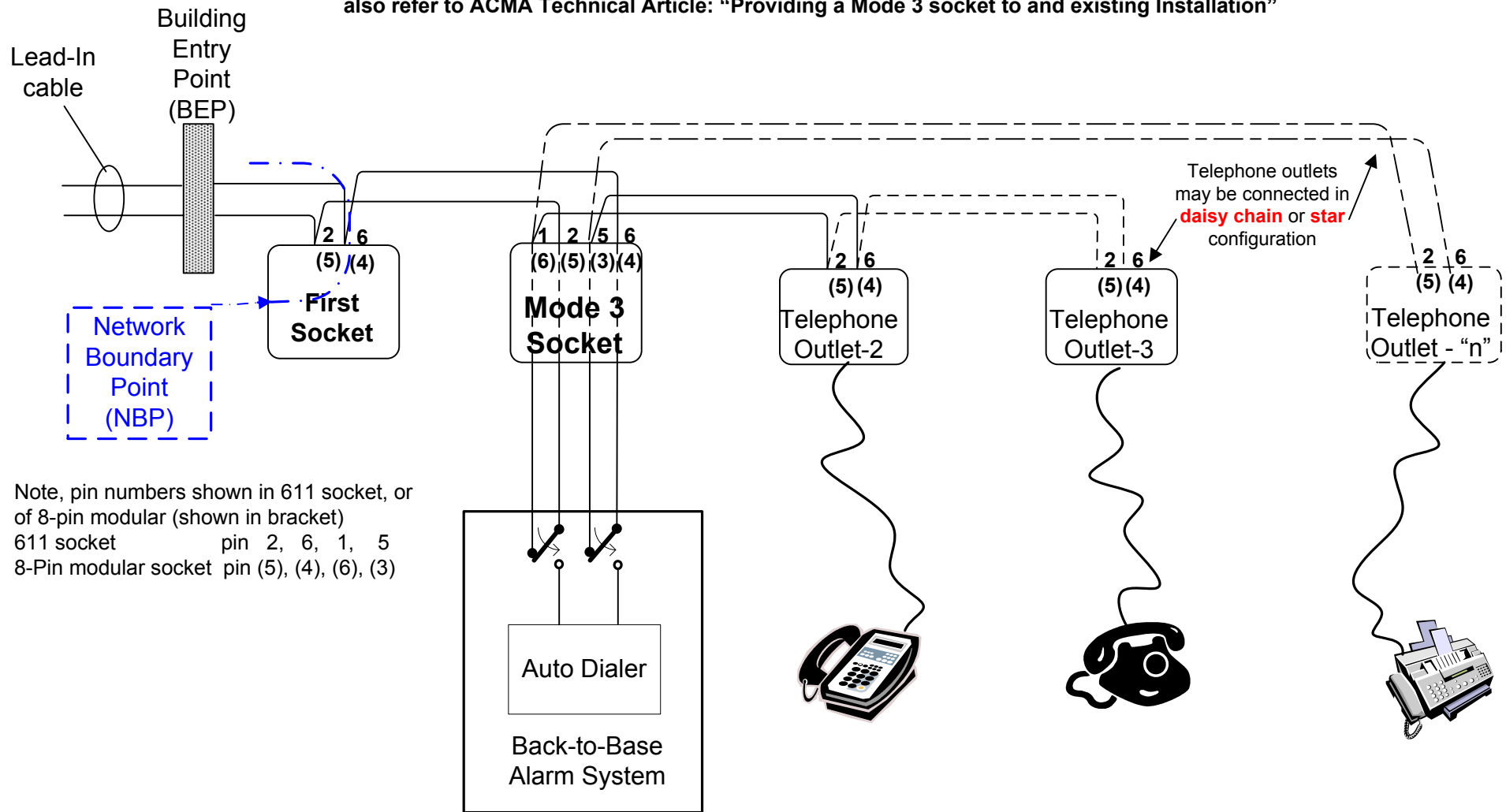
# Typical Housing Telephone Wiring

**without** Back-to-Base Alarm system



# Typical Housing Telephone Wiring with Back-to-Base Alarm System (and Mode 3 Auto Dialer)

also refer to ACMA Technical Article: "Providing a Mode 3 socket to and existing Installation"

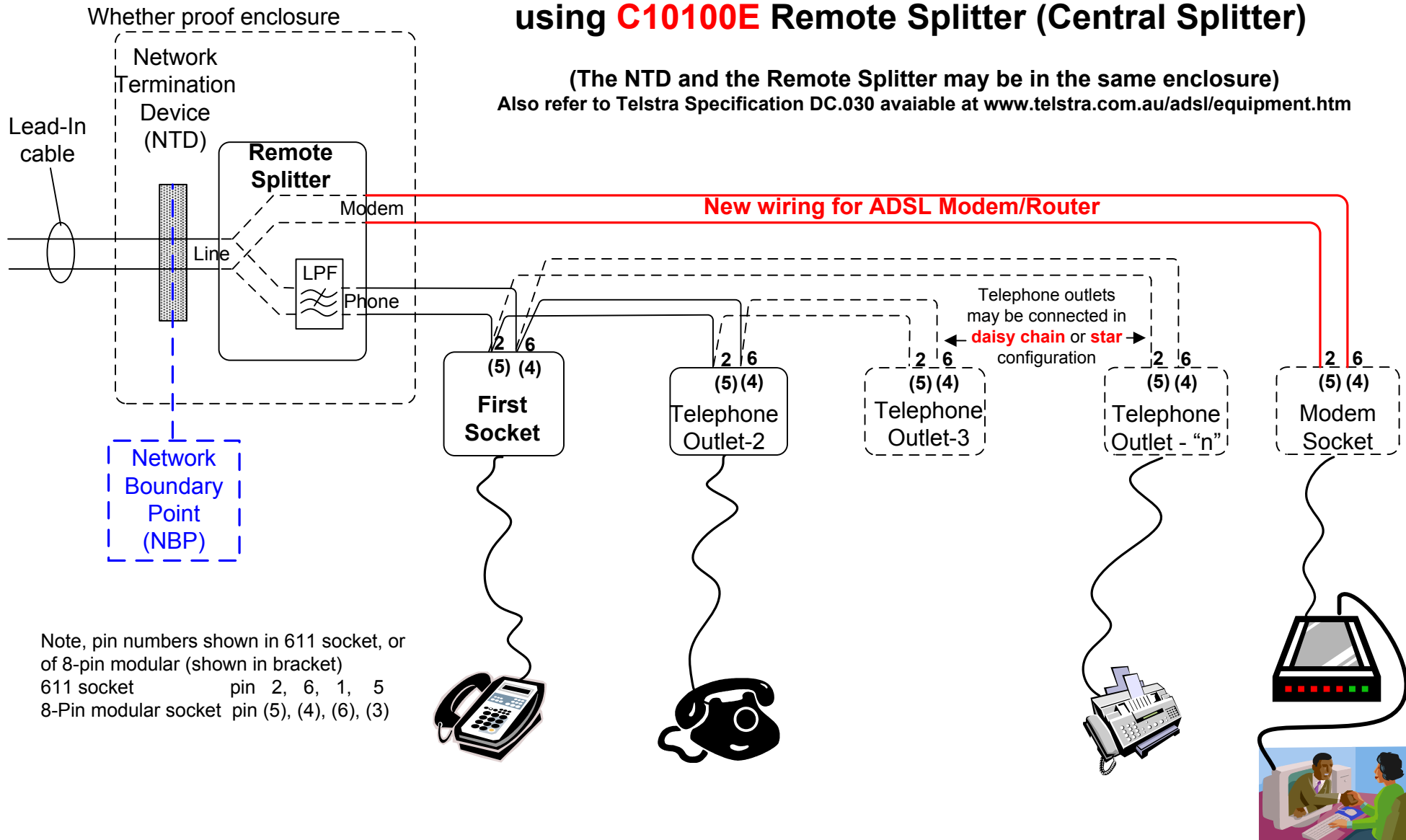


# ADSL Access and Filtering – (2)

## (without Back-to-Base Alarm system)

### using **C10100E** Remote Splitter (Central Splitter)

(The NTD and the Remote Splitter may be in the same enclosure)  
 Also refer to Telstra Specification DC.030 available at [www.telstra.com.au/adsl/equipment.htm](http://www.telstra.com.au/adsl/equipment.htm)

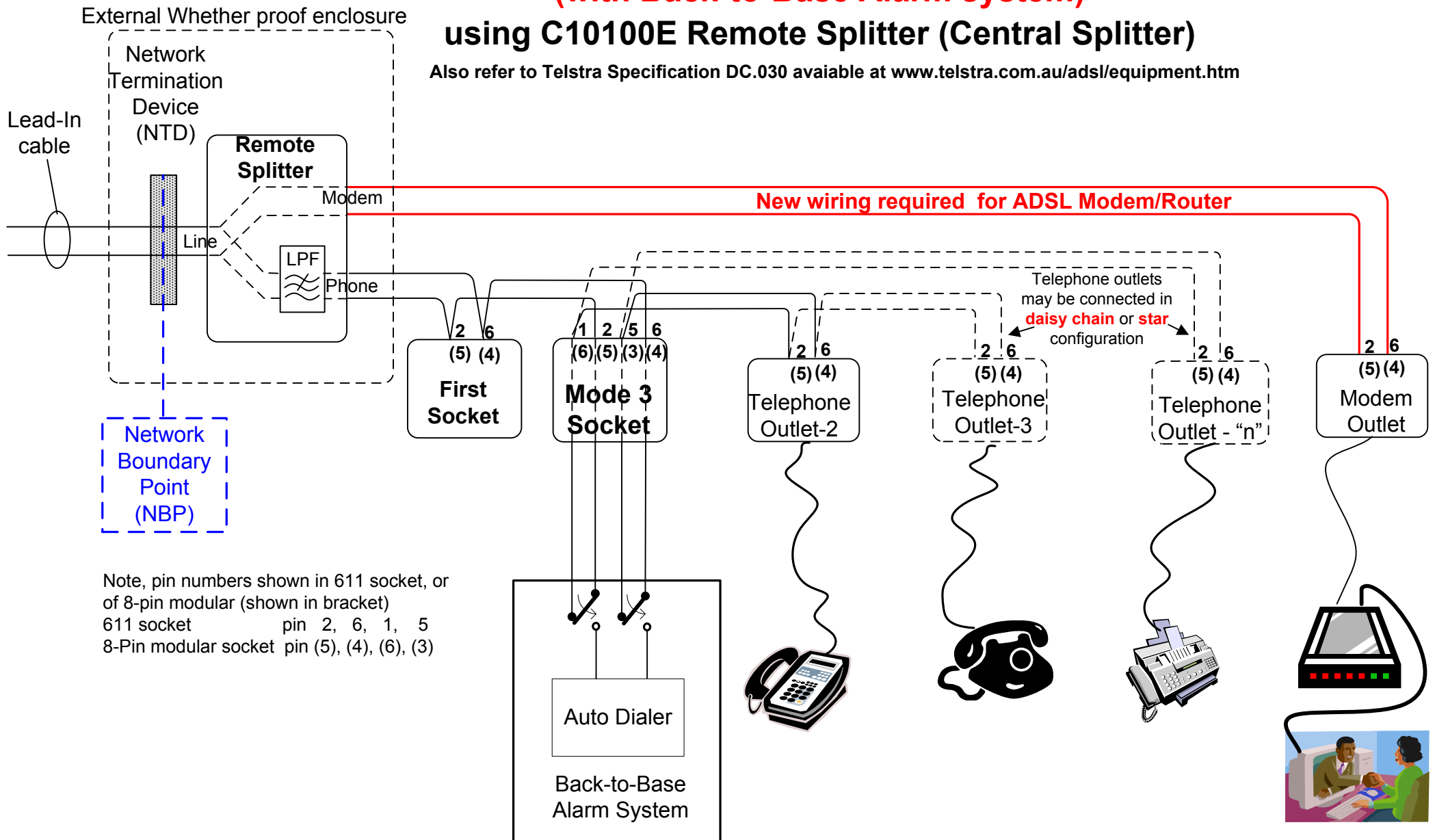


# ADSL Access and Filtering – (3)

(with Back-to-Base Alarm system)

## using C10100E Remote Splitter (Central Splitter)

Also refer to Telstra Specification DC.030 available at [www.telstra.com.au/adsl/equipment.htm](http://www.telstra.com.au/adsl/equipment.htm)



# ADSL Access and Filtering – (4)

(with Back-to-Base Alarm system)

using **C10100E Remote Splitter (Central Splitter)**

Also refer to Telstra Specification DC.030 available at [www.telstra.com.au/adsl/equipment.htm](http://www.telstra.com.au/adsl/equipment.htm)

