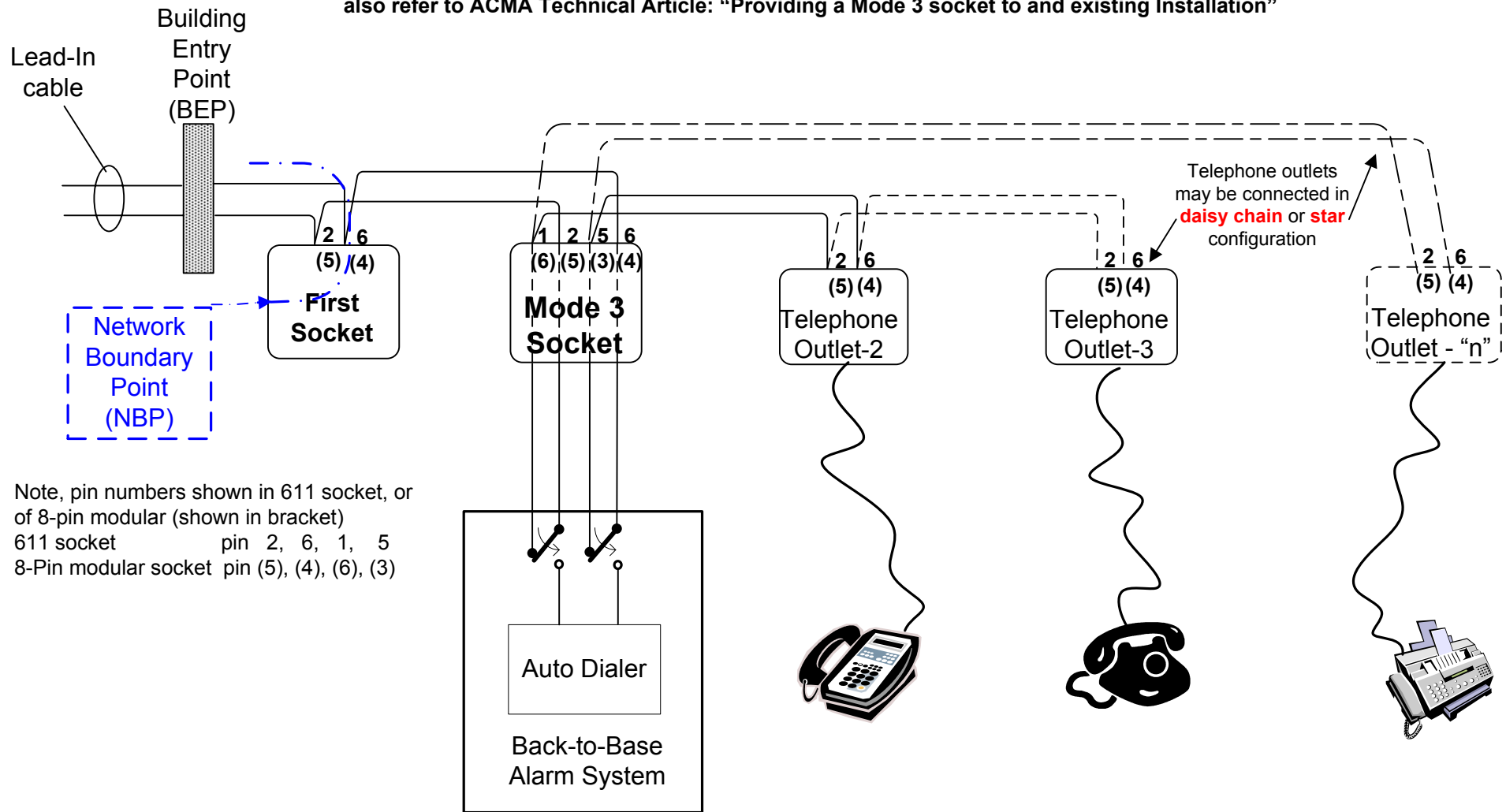


Typical Housing Telephone Wiring with Back-to-Base Alarm System (and Mode 3 Auto Dialer)

also refer to ACMA Technical Article: "Providing a Mode 3 socket to and existing Installation"

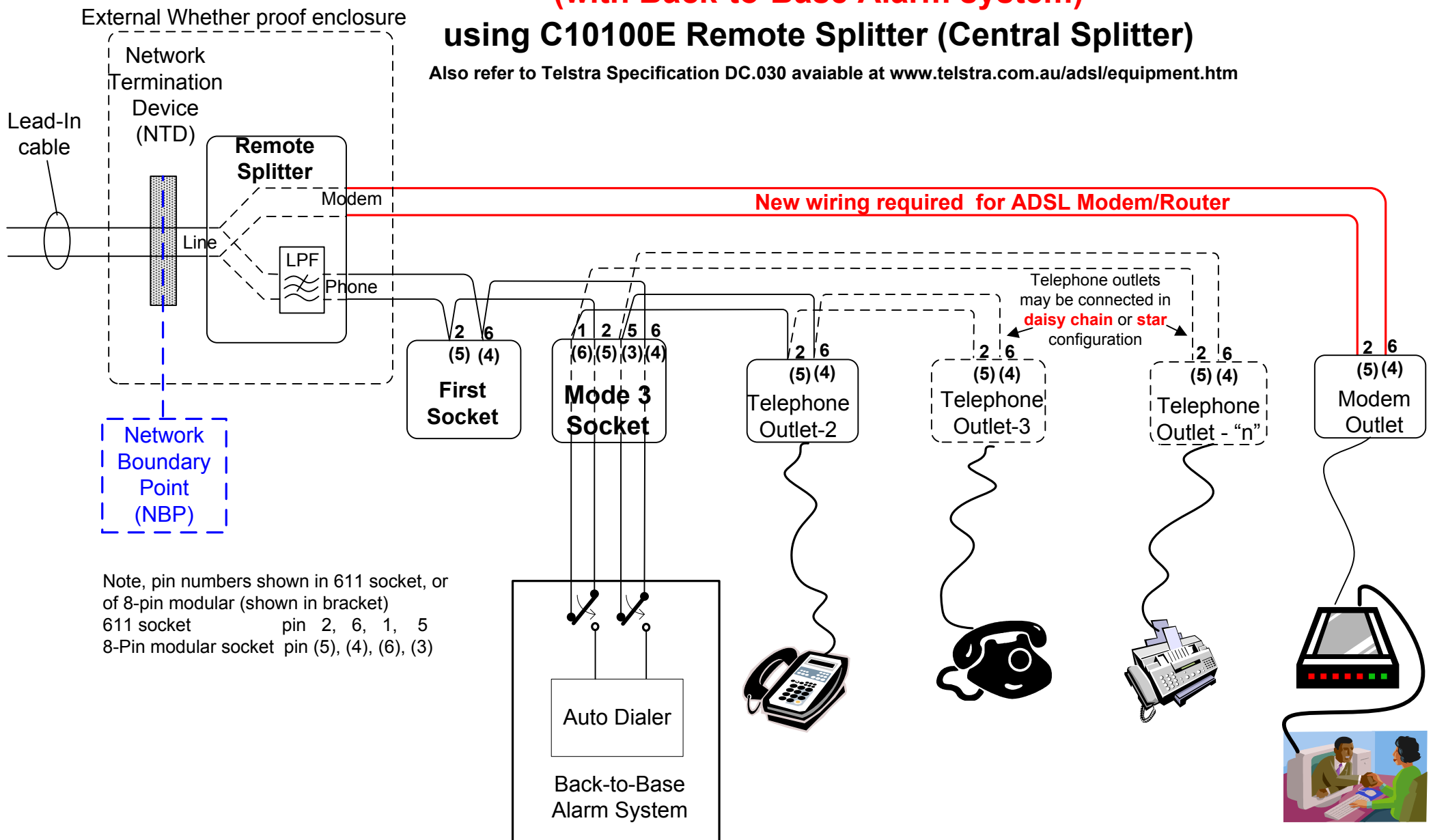


ADSL Access and Filtering – (3)

(with Back-to-Base Alarm system)

using C10100E Remote Splitter (Central Splitter)

Also refer to Telstra Specification DC.030 available at www.telstra.com.au/adsl/equipment.htm

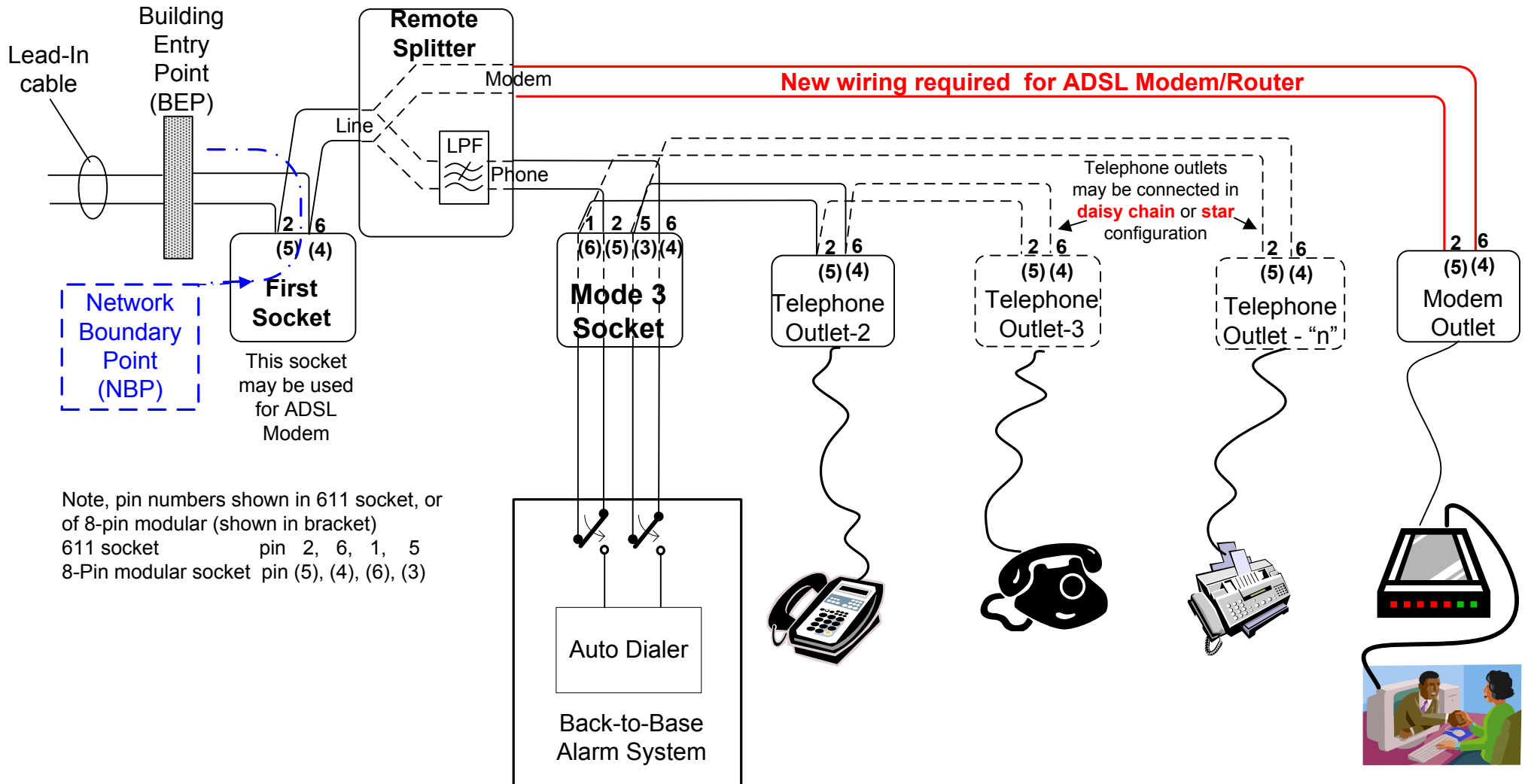


ADSL Access and Filtering – (4)

(with Back-to-Base Alarm system)

using **C10100E Remote Splitter (Central Splitter)**

Also refer to Telstra Specification DC.030 available at www.telstra.com.au/adsl/equipment.htm



ADSL Access and Filtering – (5)

(with Back-to-Base Alarm system)

using **C10645E_AL Remote Splitter (Central Splitter)**

Also refer to Telstra Specification DC.030 available at www.telstra.com.au/adsl/equipment.htm

